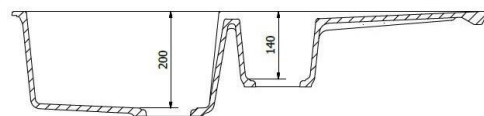
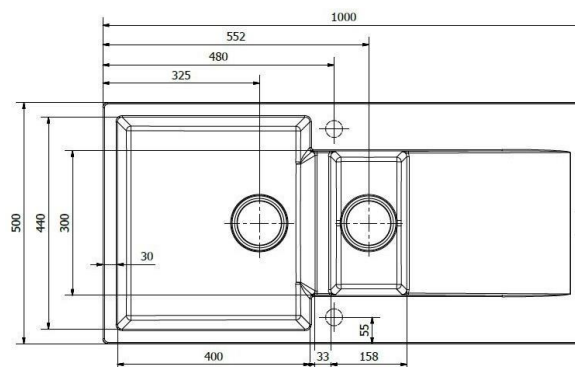
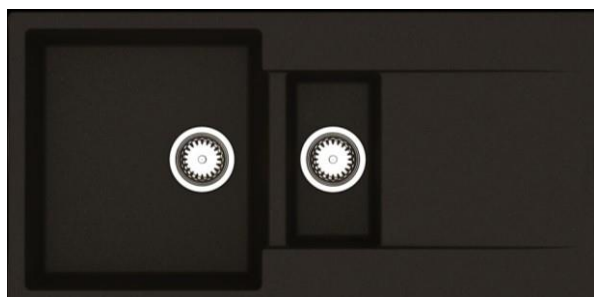


Product Certificate

Dated: 29-01-2018



Exemple Model Amsterdam 15



Product specifications:

- Material: Regi-Granite, quartz particles and resin
- Material thickness: +/- 2 mm
- Installation: Integrated installation
- Waste and Overflow: Waste Kit
- Packing: Each sink packed individually in cb box, 16 pieces per pallet 1200 x 1200
- Product warranty: 15 years warranty
- Production: Made in EU



Colour:

Caffe silvery

Grey silvery



Black silvery

Pure white



Reginox bv

P.O. box 82 | 7460 AB Rijssen | Holland

info@reginox.com | www.reginox.com | tel. +31 548 53 56 35